

Technical Data Sheet.

BT-100

Device for determine the perpendicularity of the bottles.



ATRYA PLAST. S.A. de C.V.

Av. Rio Consulado N° 2614 Col. San Juan de Aragón Delegación G.A.M. C.P. 07920 México D.F.
Tel: (5255) 2603-7450 / www.atrya.com.mx

Device for determine the perpendicularity of the bottles.

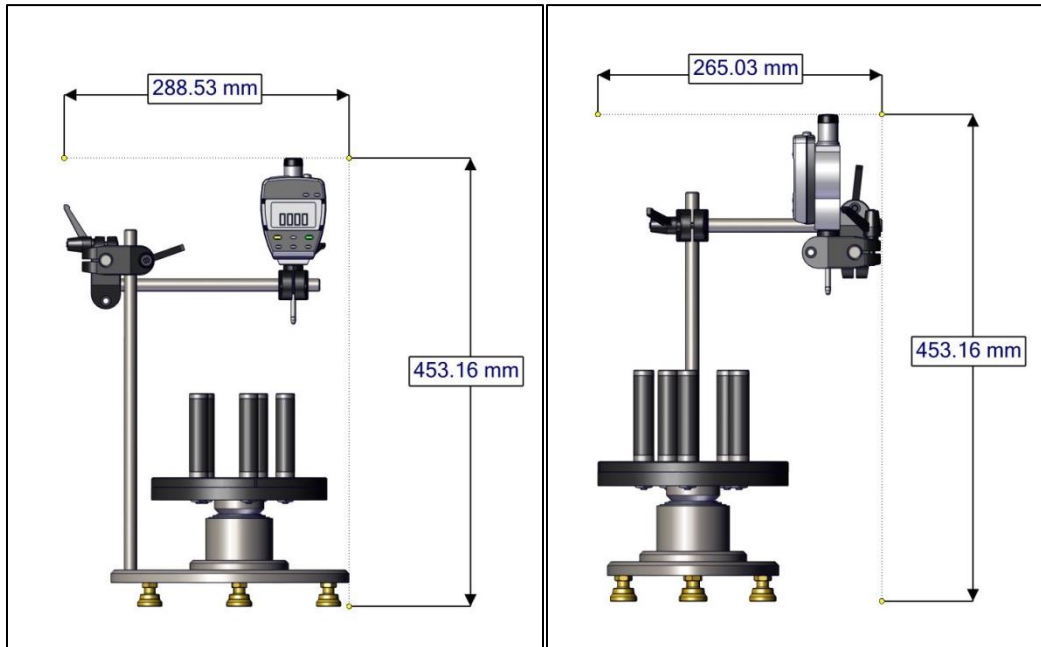
The device for determine the perpendicularity of the bottles mark Atrya works by Method Heights. Placing the container on a swivel base (chuck) which allows an adjustment of the diameter of the sample Mitutoyo® indicator mark can be positioned in different parts of the sample with its ratchet sties. (Cable optional PC data)

Structure made of AISI type 304 stainless steel, Chuck terminated or nickel finish cutting edge, has leveling feet with ball joints which allow the stability of the team. The base has an aesthetic innovative design to be placed in a confined space.

Data Sheet		
External Dimensions	430mm x 347mm x 312mm	
Approximate Weight	6.5kgs	
Mitutoyo® indicator	Include Digital Indicator Model: 543-552-1	
Resolution	0.01,0.001	
Units	mm, plg.	
Diameter of the sample.	Min.50mm	Max. 635mm
Height of the sample.	Min. 150mm	Max.400mm

ATRYA PLAST. S.A. de C.V.

General Dimensions:



ATRYA PLAST. S.A. de C.V.

Av. Rio Consulado N° 2614 Col. San Juan de Aragón Delegación G.A.M. C.P. 07920 México D.F.
Tel: (5255) 2603-7450 / www.atrya.com.mx